

# Easyflush<sup>EVO</sup>

## WC Flushing Range

Product codes:

- EVO 1.5" (1.5" outlet fitting)
- EVO 2" (2" outlet fitting)

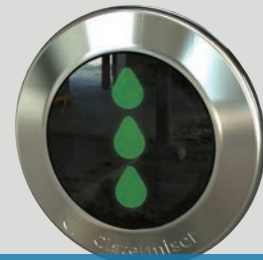


Easyflush<sup>EVO</sup> WC dual flush valve with sensor

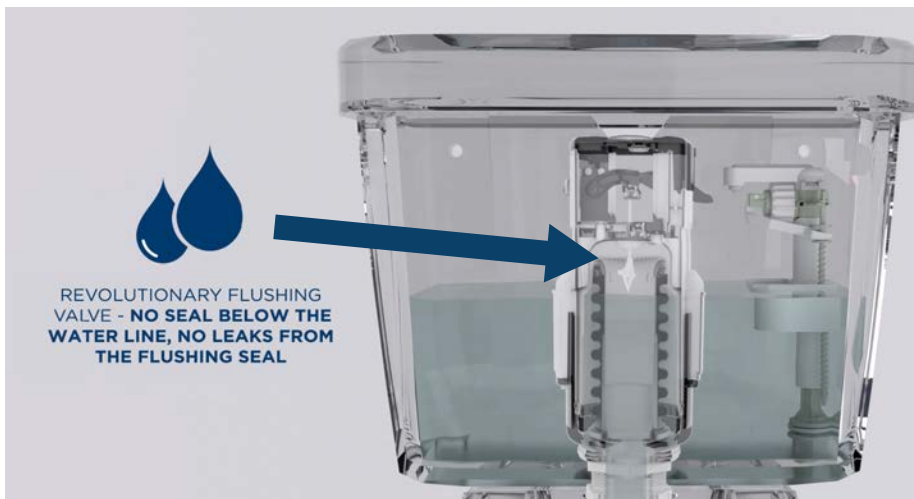
Product code:  
- EVO CISTERN



Easyflush<sup>EVO</sup> Flushing cistern



Easyflush<sup>EVO</sup> Sensor



REVOLUTIONARY FLUSHING VALVE - NO SEAL BELOW THE WATER LINE, NO LEAKS FROM THE FLUSHING SEAL

### Key features and benefits

- **Water saving and sustainable** - patented WC dual flushing valve
- **Save** - Product payback in as little as 7 months
- **Carbon off-set** - For every 20 units installed offsets 1.2 tonnes of carbon annually
- **Hygienic non-touch** - The non-touch solution is more hygienic and reduces the likelihood of cross contaminating pathogens
- **Intuitive user interface** - Assists the user with flush activation for part or full flushing and feedback for cistern refilling
- **Easy to install and maintain** - Height adjustable filling valve to suit most cisterns (60mm height adjustment)
- **Mains and battery power** - options out of the box
- **No dependence on water pressure** - Easyflush<sup>EVO</sup> flush valve
- **Protects against limescale** - self-cleaning flushing mechanism
- **Programmable flush volumes**
- **Manual flush override** - option available
- **Support** - environmental building schemes
- **Ease of use** - for elderly or people with reduced dexterity

The multi-award winning Easyflush<sup>EVO</sup> will not leak due to debris, scale, or degradation of the seal, as it has been designed without a flush seal below the water line, unlike traditional WC flush drop valves.

To activate a flush, the spill over level drops below the water line, saving up to 146,000 litres of water per unit per year.

Easyflush<sup>EVO</sup> is easy install, as a retrofit or new build installation.



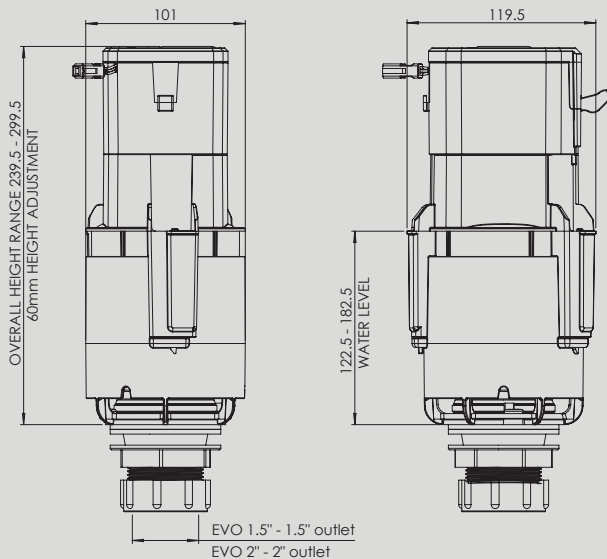
**3** YEAR  
extended  
warranty

## Easyflush<sup>EVO</sup> WC dual flush valve with sensor

The Easyflush<sup>EVO</sup> revolutionises WC flushing by bringing together the benefits of non-touch WC flushing. For use in cisterns with a 1.5" / 2" outlet.

### Technical information

- **Pipe fitting** EVO 1.5": 1.5" outlet / EVO 2": 2" outlet
- **Sensor range** Wave ~10cm, Walkaway ~55cm (-6cm for hand activation)
- **Power requirements** 6V DC from 4 x alkaline AA (LR6) batteries or 6V DC regulated from mains adaptor (1A fused spur required)
- **Battery life** 27,000 activations
- **Ambient Temperature Range** Operating: 0 to 40°C



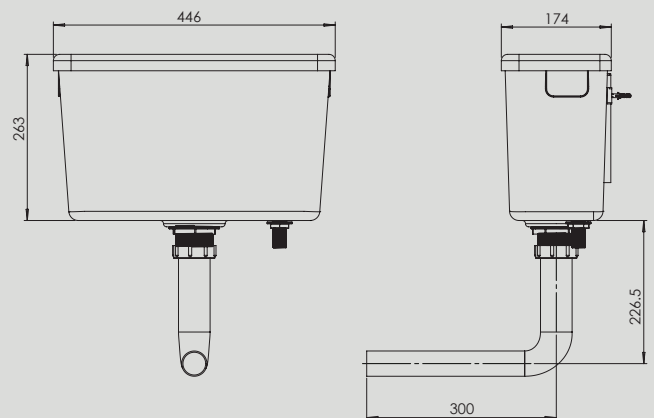
Measurements in millimetres (mm)

## Easyflush<sup>EVO</sup> Sensor WC Flushing Cistern

The Easyflush<sup>EVO</sup> Sensor WC flushing kit delivers the Easyflush<sup>EVO</sup> non-touch WC flush valve, complete with a delayed action fill valve, and a concealed cistern with a 1.5" flush pipe outlet and flush cone.

### Technical information

- **Pipe fitting** EVO CISTERN: 1.5" flush pipe outlet
- **Sensor range** Wave ~10cm, Walkaway ~55cm (-6cm for hand activation)
- **Power requirements** 6V DC from 4 x alkaline AA (LR6) batteries or 6V DC regulated from mains adaptor (1A fused spur required)
- **Battery life** 27,000 activations
- **Ambient Temperature Range** Operating: 0 to 40°C



Measurements in millimetres (mm)

### Installation

- Operating pressure: Easyflush<sup>EVO</sup> dual flush valve is not dependant on water pressure. Fill valve (supplied with EVO CISTERN) 0.1bar - 10bar.
- Power: Battery and Mains options included as standard out of the box.
- Also available as an optional extra is an Multi-Product Power Supply Unit (PSUC) which can provide power for up to 10 Easyflush<sup>EVO</sup> flushing valves, with only 1 fused spur required (additional costs apply).

### Regulatory and Compliance

- REG4 approval on EVO CISTERN

### Additional Parts / Optional Extras (additional costs apply)

- Multi Product Power Supply Unit (PSUC)
- Easyflush<sup>EVO</sup> IFS extension cable 1.5m (IFS/10)
- Sensor side/front adaptor (SFA)
- Remote Control Programming Handset (ICU)

### Cistermiser Limited

Unit 1 Woodley Park Estate, 59-69 Reading Road, Woodley, Reading, Berkshire RG5 3AN. Cistermiser is a subsidiary of Davidson Holdings Ltd. Cistermiser Ltd reserves the right to amend images and specification without prior notice.

